

CR SWITCHBLADE



OVERVIEW

Introducing the first Computed Radiography system designed specifically for weld-quality radiography, the CR SwitchBlade. This new system packs VMI's industry leading image resolution into an ultra-lightweight, compact, durable solution. The CR SwitchBlade scanning process has been designed to have Imaging Phosphor (IP) Plates fed face down, allowing for the solution to be deployed in a direct light environment. Utilizing an innovative magnetic track process, the SwitchBlade scans IP Plates without bending or manipulating the plates. Finally making true portable Computed Radiography imaging a reality.

Logarithmic Image Acquisition Process

- Customizable Acquisition Settings

Compact and Portable Design

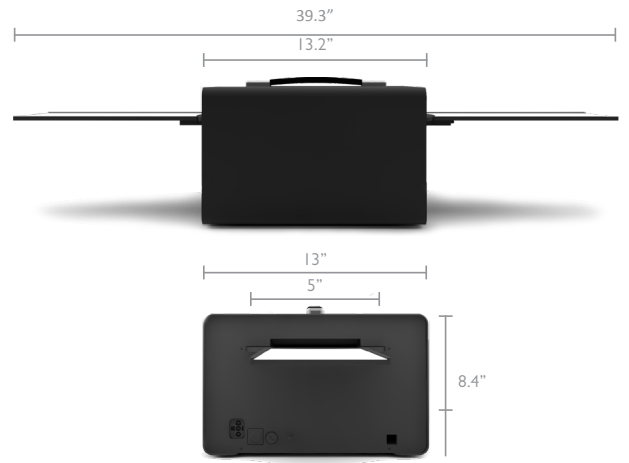
- Allows for field transportation

Magnetic IP Plate Scanning Process

- Magnetic Track Design
- IP Plate fed face down
- Supported feeding and retrieval trays

Superior IP Plate Protection Flatbed Scanning Configuration

- No bending of the IP Plate while being read and erased
- Guaranteed to NEVER damage IP Plates



SPECIFICATIONS

Pixel/Bit Depth: 65536/16 bit source file
 Pixel Pitch: 50µ - 200µ
 Throughput: 60 plates IP hour (4.5 x 10)
 IP Sizes: 5" x 96" Scanning Area
 Weight: 25 lbs (11.4 kg)
 Dimensions: W13.2" x D13" x H8.4"
 Power Source: 100-240V AC/2.5A max/47-63Hz

Light Source/Sensor: Diode/PMT
 Interface USB 2.0
 Scanning Process: Single Flat Path, Magnetic Track
 Feed Mechanism: Removable Feeding Tray
 Erase Method: Automatic, LED
 Network: DICOM/DICONDE Compliant
 Operating System: Windows 10, 64-Bit